

Cabinet U-Handles

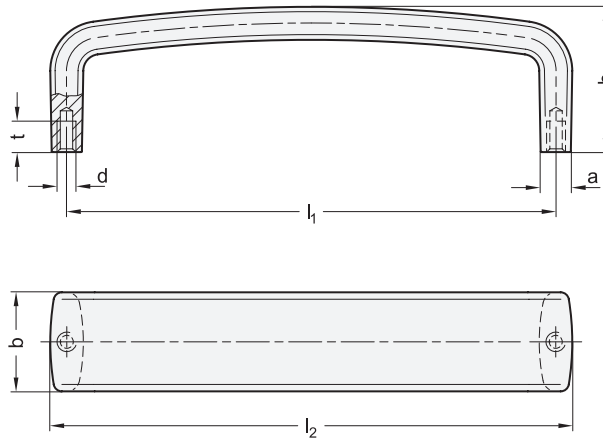
Aluminum

SPECIFICATION

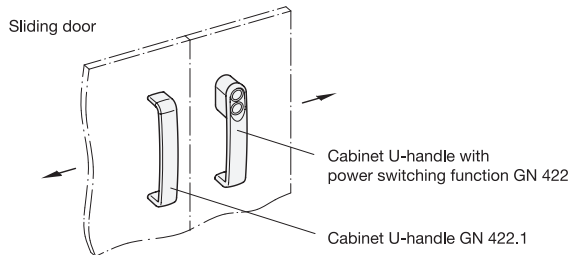
Aluminum die casting **AL**
 Powder coated
 Black, RAL 9005, textured finish **SW**
 Silver, RAL 9006, textured finish **SR**

INFORMATION

Cabinet U-handles GN 422.1 of die casting aluminum fit perfectly into a wide range of environments thanks to their timeless design. They are also designed as a complementary grip for U-handles GN 422 (see page) with power switching function.



Application example



GN 422.1

Description	l1 ±0.2	a	b	d	h	l2	t	⚖
GN 422.1-117-AL-SW	117	11	33	M 6	44	128	12	130
GN 422.1-117-AL-SR	117	11	33	M 6	44	128	12	130
GN 422.1-148-AL-SW	148	11	33	M 6	44	159	12	150
GN 422.1-148-AL-SR	148	11	33	M 6	44	159	12	150
GN 422.1-172-AL-SW	172	11	33	M 6	44	183	12	170
GN 422.1-172-AL-SR	172	11	33	M 6	44	183	12	170

